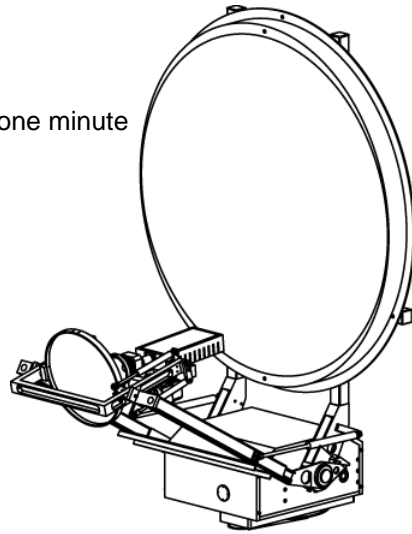


## SMART100 SNG Satellite Communication Antenna

SMART100 SNG Antenna is the high-end vehicle Satellite Communication Antenna for emergency satellite communication and satellite news collection, which has the advantages with the lowest power consumption, light weight, high reliability, visual operation, etc.

### Feature

- ★ Accord with the requirement of CCTR580 and INTELSAT
- ★ High Gain, Low Sidelobe
- ★ Automatic deploy/collect
- ★ Finish positioning and acquire Satellite automatically in one minute
- ★ Fault self-detecting function, easy to operate
- ★ Dual-Offset Correct Shaped Reflector Antenna
- ★ High Speed Multi-axis servo control unit and tracking receiver keep antenna automatic tracking and precise pointing.
- ★ Precise polarization control
- ★ Movement operation for manual antenna



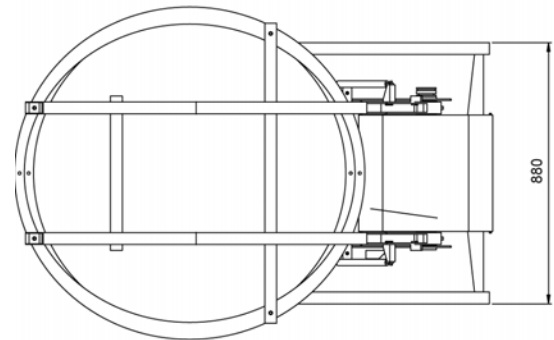
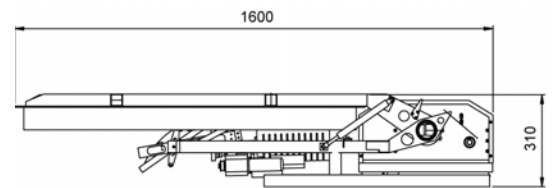
### System Configuration

- ★ 1.0m offset antenna
- ★ Model WJ6S, Model W9200L Antenna Control System as option
- ★ Model ST1000L and ST2000S Satellite Beacon Tracking Receiver as option
- ★ GPS and electronic compass
- ★ Antenna structure bracket

# Specification

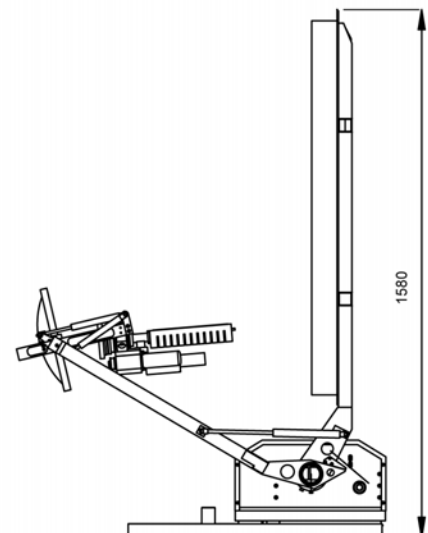
## Electrical Specification

	Ku-band	
	Receiver	Transmitt
Frequency (GHZ)	10.95 - 12.75	13.75 - 14.5
Gain(Mid-band dBi)	40.2	41.9
Polarization	Linear	
Cross Pol. Isolation(on axis:dB)	35	35
VSWR	1.25	1.25
Antenna Noise Temperature		
10° Elevation	61° K	
30° Elevation	53° K	
Power Handling Capability (KW)		1
Interfaces	WR-75	WR-75
Isolation (Tx to Rx, dB)	80	
First Sidelobe	29-25log +8 32-25log -10	(2.5° ≤ θ ≤ 7° ) (7° ≤ θ ≤ 9.2° ) (9.2° ≤ θ ≤ 48° ) (48° ≤ θ )



## Mechanical Specification

Antenna Diameter	1.0m
Antenna Type	Dual-Offset Correct Shaped Reflector Antenna
Weight	45kg
Satellite Acquisition Time	≤ 1 Minute
Antenna Pointing Range	
Azimuth	± 185°
Elevation	0° ~ 165°
Polarization	± 90°
Motor Drive System	
Azimuth Travel Rate	0.01° /S ~ 3° /S
Elevation Travel Rate	0.01° /S ~ 5° /S
Polarization	0.01° /S ~ 1° /S
Tracking precision	0.15°
Display resolution	0.01°
System Power	110W
Voltage	AC220V; DC48V; DC24V; DC12V (option)



## Environmental Specification

Operational Winds	72km/h Gusting to 97km/h
Survival Winds	216km/h
Temperature	
Indoor	-10℃ ~ +50℃
Outdoor	-20℃ ~ +50℃, -40℃ ~ +50℃ (选件)
Relative Humidity	100%
Solar Radiation	1135Kcal/h/m <sup>2</sup>

