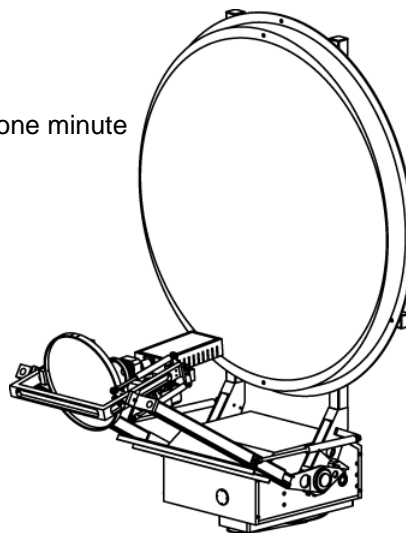


## SMART180 SNG Satellite Communication Antenna

SMART180 SNG Antenna is the high-end vehicle Satellite Communication Antenna for emergency satellite communication and satellite news collection, which has the advantages with the lowest power consumption, light weight, high reliability, visual operation, etc.

### Feature

- ★ Accord with the requirement of CCTR580 and INTELSAT
- ★ High Gain, Low Side lobe
- ★ Automatic deploy/collect
- ★ Finish positioning and acquire Satellite automatically in one minute
- ★ Fault self-checking function, easy to operate
- ★ Dual-Offset Correct Shaped Reflector Antenna
- ★ High Speed Multi-axis serve control unit and tracking receiver keep antenna automatic tracking and precise pointing.
- ★ Precise polarization control
- ★ Movement operation for manual antenna



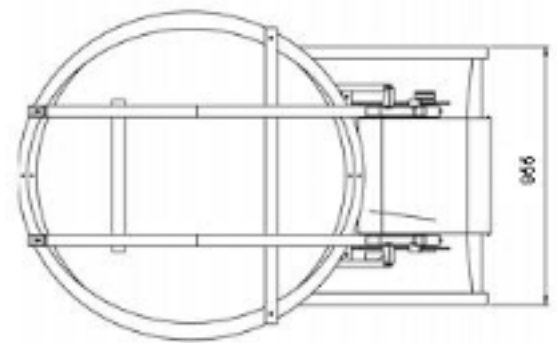
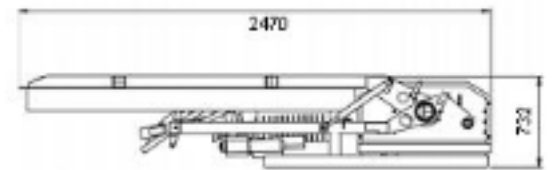
### System Configuration

- ★ 1.8m offset antenna
- ★ Model WJ6S, Model W9200L Antenna Control System as option
- ★ Model ST1000L and ST2000S Satellite Beacon Tracking Receiver
- ★ GPS and electronic compass
- ★ Antenna structure bracket

# Specification

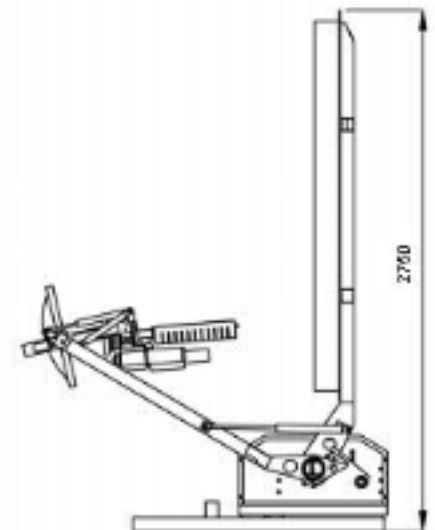
## Electrical Specification

	Ku-band	
	Receiver	Transmitt
Frequency (GHZ)	10.7 - 12.75	13.75 - 14.5
Gain(Mid-band dBi)	45.5(11.95G)	47.0(14.25G)
Polarization	Linear	
Cross Pol. Isolation(on axis:dB)	32	32
VSWR	1.25	1.25
Antenna Noise Temperature		
10° Elevation	48° K	
30° Elevation	33° K	
Power Handling Capability (KW)		1
Interfaces	WR-75	WR-75
Isolation (Tx to Rx, dB)	80	
First Sidelobe	29-25log +8 32-25log -10	(2.5° ≤ θ ≤ 7° ) (7° ≤ θ ≤ 9.2° ) (9.2° ≤ θ ≤ 48° ) (48° ≤ θ )



## Mechanical Specification

Antenna Diameter	1.8m
Antenna Type	Dual-Offset Correct Shaped Reflector Antenna
Weight	152kg
Satellite Acquisition Time	≤ 1 Minute
Antenna Pointing Range	
Azimuth	± 270°
Elevation	5° ~ 90°
Polarization	± 90°
Motor Drive System	
Azimuth Travel Rate	0.02° /S or 6° /S
Elevation Travel Rate	0.02° /S or 6° /S
Polarization	0.02° /S or 6° /S
Tracking precision	0.15°
Display resolution	0.01°
System Power	220W
Voltage	AC220V; DC48V; DC24V; DC12V (option)



## Environmental Specification

Operational Winds	72km/h Gusting to 103km/h
Survival Winds	216km/h
Temperature	
Indoor	-10°C ~ +50°C
Outdoor	-20°C ~ +50°C, -40°C ~ +50°C (option)
Relative Humidity	100%
Solar Radiation	975Kcal/h/m <sup>2</sup>