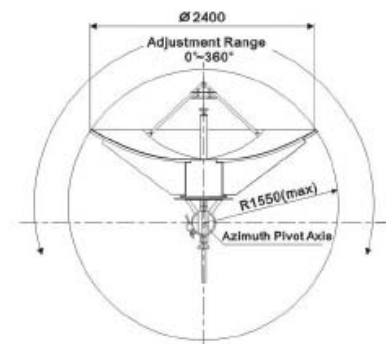
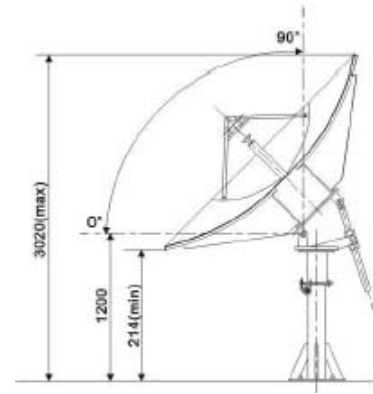


## 2.4M EARTH STATION ANTENNAS

ANTESKY has a selected range of VSAT antenna (Ku-Band, C-Band, Ka-Band), NWIEE antenna, Non-penetrating Roof Mounts, Earth Station Antenna Control System and Tracking Systems.



### Antenna Accessory

- *Motorization Kits*
- *50 Satellite Positions Preset*
- *Limit Switches*
- *Steptrack*
- *ODU Support Kits*
- *Factory Feed System Testing and Documentation*
- *Ocean Transport Packing*
- *Foundation Kit*
- *Lightening Rod Kit*
- *Grounding Kit*
- *Cable-Mounting Kit*
- *Major Subsystem Spare Part Kits*
- *Anti-icing and Deicing*

### Features

- *Meets or Exceeds CCIR 580 and INTELSAT Requirements*
- *High G/T, Excellent Pattern Characteristics*
- *Thermal Spaying Zinc Steel Ground Mount Assembly*
- *C-band Antenna Operating in 800MHz Bandwidth Option*
- *2-port, 3-port or 4-port Linear/Circular Feed*
- *Field Changeable Feed System, Switchable Circular to Linear C-band*
- *Antenna Az 0-360deg Continuous Pointing Range*

## ELECTRICAL SPECIFICATION

Diameter	2.4M			
Operating Frequency, GHz	C-Band		Ku-Band	
	Receive	Transmit	Receive	Transmit
	3.625~4.2	5.85~6.425	10.95~12.75	13.75~14.5
Gain, Mid-band, dBi	38	41.5	47.8	49.1
Polarization	Linear/ Circular		Linear	
XPD (on Axis), dB	35	35	35	35
XPD across 1dB Beam Width, dB	33	33	33	33
Axial Ratio (dB)	1.30	1.09		
VSWR	1.25	1.25	1.25	1.25
Antenna Noise Temperature, 2-port feed				
10° Elevation	32°K		48°K	
30° Elevation	24°K		38°K	
50° Elevation	20°K		34°K	
-3dB Beam Width	2°	1.38°	0.67°	0.59°
Typical G/T ( El > 10° )	20dB/K ( 30° LNA )		27.1dB/K ( 70° LNA )	
Tx. Power Capability, KW		5		2
Feed Interface	CPR-229G	CPR-137G	WR-75	WR-75
Feed Insertion Loss, dB	0.2	0.2	0.25	0.2
Isolation, Tx to Rx, dB	85			
Radiation Pattern:First Sidelobe	≤ -14, Meet ITU-RS.580-5 and other requirements			

## MECHANICAL SPECIFICATION

Azimuth	0°~360°,±10° (Continuous)
Elevation	0°~90°(Continuous)
Polarization	360°(Continuous)
Finishes	
Reflector Surface	Aluminum panels with high-diffusing white paint
Pedestal & Back Structure	Thermal Spraying Zinc
Surface Accuracy (RMS)	≤ 0.5mm

## ENVIRONMENTAL SPECIFICATION

Operational Wind	72km/h Gusting to 97km/h
Survival Wind	216km/h
Temperature	- 40°C ~ + 60°C
Relative Humidity	100%
Solar Radiation	1135Kcal/ h/ m <sup>2</sup>
Seismic (Survival)	0.3g (H), 0.15g (V)